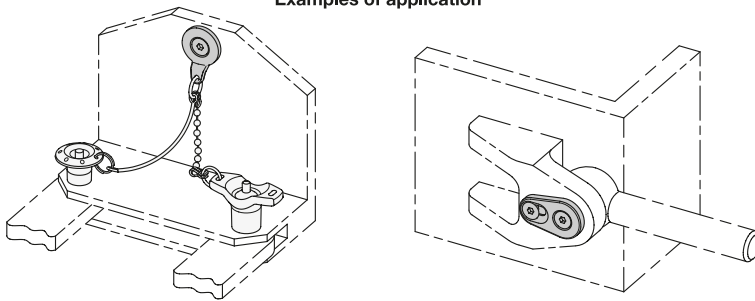


Examples of application



SS Stainless Steel

4 Type

- E with eyelet
- L with mounting shackle

Metric table

Dimensions in: millimeters - inches

d ₁	d ₂	d ₃	d ₄	d ₅	h	l ₁	l ₂	l ₃	l ₄	l ₅	s ₁	s ₂	suitable key rings for type E
4.3 .17	12 .47	9.2 .36	2.5 .10	6 .24	7 .28	13.5 .53	10.8 .43	18 .71	10 .39	2 .08	3 .12	4 .16	Ø14
4.3 .17	15 .59	9.2 .36	2.5 .10	6.3 .25	7 .28	15 .59	12.3 .48	21 .83	11 .43	4 .16	3 .12	4 .16	Ø14
5.3 .21	17 .67	11.5 .45	3 .12	7.2 .28	7 .28	18.5 .73	15 .59	23 .91	12 .47	4 .16	4 .16	4.5 .18	Ø14 / Ø18
5.3 .21	22 .87	11.5 .45	3 .12	7.5 .30	9 .35	21 .83	17.5 .69	28 1.10	15 .59	6 .24	4 .16	4.5 .18	Ø14 / Ø18
6.4 .25	26 1.02	13.7 .54	3.5 .14	8.1 .32	9 .35	24 .94	20.3 .80	31 1.22	17 .67	6 .24	4 .16	5 .20	Ø14 / Ø18 / Ø24

Specification

- Stainless Steel **NI**
 - Type E: metal injection molded European Standard No. 1.4404 (AISI 316) LHC Ground
 - Type L: sintered European Standard No. 1.4404 (AISI 316) LHC Ground
- RoHS compliant

Information

GN 2344 Stainless Steel-Retaining washers are universally usable standard parts. Type E is suitable for use in connection with retaining cables and ball chains to mount other standard or securing parts in order to prevent loss. Type L is suitable, for example, for mounting bolts or axes, which can thereby simultaneously be secured in an axial and also in a radial position.

see also...

- Key Rings GN 111.3
- Assembly Pins GN 2342

How to order

2344-NI-4,3-15-L

1	Material
2	d ₁
3	d ₂
4	Type

3.1
3.2
3.3
3.4
3.5
3.6
3.7
3.8
3.9