

GN 321

Blank, rim polished

GN 323

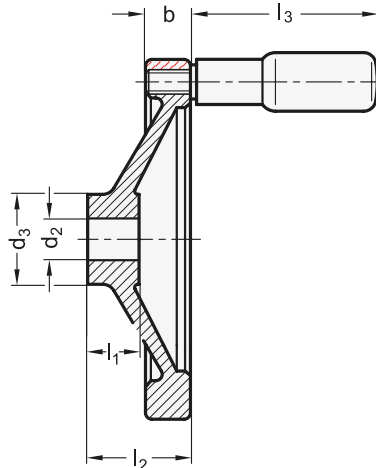
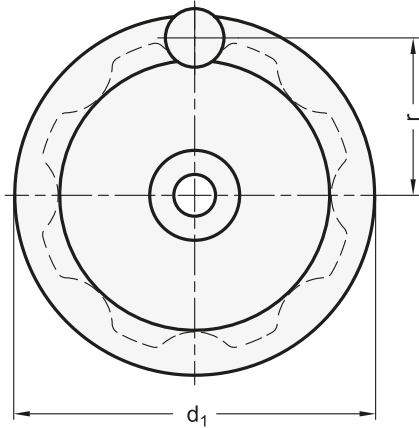
Black, powder coated

Solid Disk Handwheels

Aluminum, With or Without Revolving Handle

**JW WINCO**

A Ganter Company

**2 Bore code:****B** Without keyway**4 Type****A** Without handle**R** With revolving handle**Specification**

- Aluminum
 - Contact face of hub machined
 - Rim turned
- Rim concentric and square to bore < 0.4 mm
- **GN 321**
 - Rim highly polished on all sides
 - Unmachined wheel body, matte shot-blasted finish
- **GN 323**
 - Wheel body
 - Powder coated
 - Matte black, textured finish
- Stepped cylindrical revolving handles GN 798
 - Plastic, Technopolymer
 - Black, matte finish
 - Threaded spindle
 - Steel, zinc plated, blue passivated finish with internal hexagon
- RoHS compliant

Information

GN 321 / GN 323 solid disk handwheels have recessed grips at their back.

GN 321 solid disk handwheels are distinguished by modern design. The highly polished rim and the matte shot-blasted finish does not, for most applications, require painting or other surface treatments.

GN 323 Disk handwheels have the same dimensions as GN 321. A slight textured finish provides an even finish all over.

No mounting hole in rim for handwheel without handle. Handle shipped loose; mounting of handle is required.

see also...

- *Safety handwheels (Disengage the Clutch)*
- *Countersunk Washers GN 184 (for Axial Fixing)*
- *Flat-Faced Solid Disk Handwheels GN 923 (Aluminium, Powder Coated)*

On request

- Other modifications such as inch and metric bores, keyways, set screw holes, etc.

How to order (Blank, rim polished)

GN321-100-B1/2-R

- | | |
|---|--------------------------|
| 1 | Handwheel diameter d_1 |
| 2 | Bore code |
| 3 | Bore diameter d_2 |
| 4 | Type |

How to order

GN323-125-B12-A

- | | |
|---|--------------------------|
| 1 | Handwheel diameter d_1 |
| 2 | Bore code |
| 3 | Bore diameter d_2 |
| 4 | Type |

Inch table

Dimensions in: inches - *millimeters*

d ₁	d ₂ +0.001 Bore		d ₃	b	l ₁	l ₂ ≈	l ₃ ≈	r	Ø Handle GN 798
	1	3							
3.15 80	3/8*	1/2	1.02 26	.51 13	.63 16	1.02 26	1.73 44	1.32 33.5	.63 16
3.94 100	3/8*	1/2	1.10 28	.55 14	.67 17	1.18 30	2.30 58.5	1.67 42.5	.71 18
4.92 125	1/2	-	1.22 31	.59 15	.71 18	1.30 33	2.42 61.5	2.13 54	.87 22
5.51 140	5/8	-	1.42 36	.65 16.5	.75 19	1.42 36	3.01 76.5	2.40 61	.94 24
6.30 160	1/2	5/8	1.42 36	.71 18	.79 20	1.54 39	3.01 76.5	2.80 71	.94 24
7.87 200	5/8	3/4*	1.77 45	.81 20.5	.94 24	1.77 45	3.41 86.5	3.50 89	.98 25
7.87 200	3/4**	-	1.89 48	.91 23	1.10 28	2.01 51	3.41 86.5	4.45 113	.98 25
9.84 250	3/4*	-	1.89 48	.91 23	1.10 28	2.01 51	3.41 86.5	4.45 113	.98 25

* Only available for GN 321 ** Only available for GN 323

Metric table

Dimensions in: millimeters - *inches*

d ₁	d ₂ H7 Bore		d ₃	b	l ₁	l ₂ ≈	l ₃ ≈	r	Ø Handle GN 798
	1	3							
80 3.15	8*	10 12	26 1.02	13 .51	16 .63	26 1.02	44 1.73	33.5 1.32	16 .63
100 3.94	8*	10 12	28 1.10	14 .55	17 .67	30 1.18	58.5 2.30	42.5 1.67	18 .71
125 4.92	10*	12 14	31 1.22	15 .59	18 .71	33 1.30	61.5 2.42	54 2.13	22 .87
140 5.51	14	16 -	36 1.42	16.5 .65	19 .75	36 1.42	76.5 3.01	61 2.40	24 .94
160 6.30	12*	14 16	36 1.42	18 .71	20 .79	39 1.54	76.5 3.01	71 2.80	24 .94
200 7.87	18	20 -	45 1.77	20.5 .81	24 .94	45 1.77	86.5 3.41	89 3.50	25 .98
250 9.84	22	26 -	48 1.89	23 .91	28 1.10	51 2.01	86.5 3.41	113 4.45	25 .98

* Only available for GN 321

1.1
1.2
1.3
1.4
2.1
2.2
2.3
2.4

