

GN 322

Blank, Rim Highly Polished

GN 324

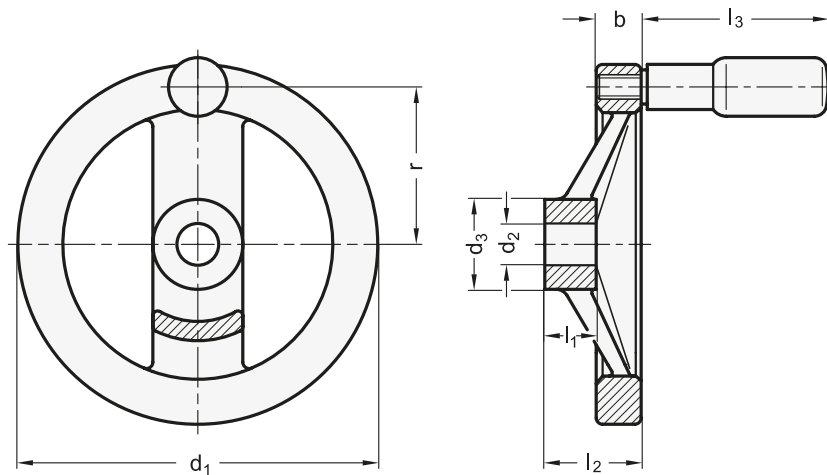
Black, Powder Coated

Two Spoked Handwheels

Aluminum, with or without Revolving Handle



JW WINCO
A Ganter Company



2 Bore code

B Without keyway

4 Type

A Without handle

R With revolving handle

Specification

- Aluminum
 - Contact face of hub machined
 - Rim turned
- Rim concentric and square to bore < 0.4 mm
- **GN 322**
 - Rim highly polished on all sides
 - Unmachined body matte gray shot blasted
- **GN 324**
 - Wheel body completely powder coated
 - Matte black, textured finish
- Revolving handles GN 798
 - Plastic, Technopolymer
 - Black, matte finish
- RoHS compliant

Information

GN 322 two spoked handwheels are distinguished by modern design.

The highly polished rim and the shot blasted finish do not, for most applications, require painting or other surface treatments.

GN 324 two spoked handwheels have the same dimensions as GN 322.

The textured finish provides a clean, durable, modern look and feel.

For both no mounting hole in rim for handwheel without handle. Handle shipped loose; mounting of handle is required.

see also...

- *Safety handwheels (Disengage the clutch)*
- *Flat-Faced Spoked Handwheels GN 924 (Aluminum, with or without Revolving Handle)*
- *Countersunk Washers GN 184 (Steel)*

On request

- Special inch and metric bores
- Other modifications such as keyways, set screw holes, etc.

How to order (Blank, rim highly polished)

GN 322-200-B3/4-R

1 Handwheel diameter d_1

2 Bore code

3 Bore diameter d_2

4 Type

How to order (Black, powder coated)

GN 324-200-B18-R

1 Handwheel diameter d_1

2 Bore code

3 Bore diameter d_2

4 Type

Inch table

Dimensions in: inches - *millimeters*

d ₁	d ₂ +0.001 Bore		GN 324		d ₃	b	l ₁	l ₂	l ₃	r	Ø Handle GN 798
	GN 322										
4.92 125	1/2	-	1/2	-	1.22 31	.59 15	.71 18	1.30 33	2.42 61.5	2.13 54	.87 22
5.51 140	5/8	-	5/8	-	1.42 36	.65 16.5	.75 19	1.42 36	3.01 76.5	2.40 61	.94 24
6.30 160	1/2	5/8	1/2	-	1.42 36	.71 18	.79 20	1.54 39	3.01 76.5	2.80 71	.94 24
7.87 200	5/8	3/4	5/8	3/4	1.65 42	.81 20.5	.94 24	1.77 45	3.41 86.5	3.50 89	.98 25
9.84 250	3/4	-	7/8	-	1.89 48	.91 23	1.10 28	2.01 51	3.41 86.5	4.45 113	.98 25

Metric table

Dimensions in: millimeters - *inches*

d ₁	d ₂ H7 Bore		GN 324		d ₃	b	l ₁	l ₂	l ₃	r	Ø Handle GN 798		
	GN 322												
125 4.92	8	12	14	12	14	-	31 1.22	15 .59	18 .71	33 1.30	61.5 2.42	54 2.13	22 .87
140 5.51	14	16	-	14	16	-	36 1.42	16.5 .65	19 .75	36 1.42	76.5 3.01	61 2.40	24 .94
160 6.30	9	14	16	12	14	16	36 1.42	18 .71	20 .79	39 1.54	76.5 3.01	71 2.80	24 .94
200 7.87	12	18	20	18	20	-	42 1.65	20.5 .81	24 .94	45 1.77	86.5 3.41	89 3.50	25 .98
250 9.84	12	22	26	22	26	-	48 1.89	23 .91	28 1.10	51 2.01	86.5 3.41	113 4.45	25 .98

1.1
1.2
1.3
1.4
2.1
2.2
2.3
2.4

