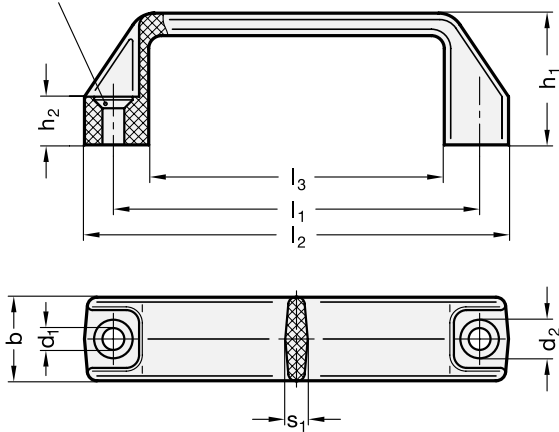
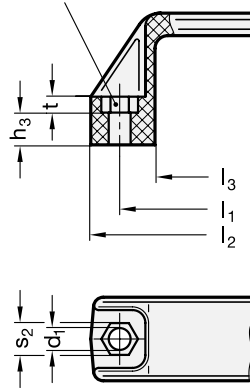




**GN 528.2**  
Bore for countersunk screw  
DIN 7991



**GN 528.3**  
Bore for hexagon head screw DIN 931/ISO 4014



ELESA original design M.443-EH / SH

**Metric table**

Dimensions in: millimeters - inches

$l_1$		$b$	$d_1$	$d_2$	$h_1$	$h_2$	$h_3$	$l_2$	$l_3$	$s_1$	$s_2$	$t$
GN 528.2	GN 528.3											
94 -1 3.70 -0.04	94 -1 3.70 -0.04	21 .83	5.5 .22	10 .39	38 1.50	13 .51	7 .28	109 4.29	74 2.91	6 .24	8 .31	6 .24
117 ±1 4.61 ±0.04	117 ±1 4.61 ±0.04	26 1.02	6.5 .26	12 .47	41 1.61	15 .59	9 .35	137 5.39	93 3.66	7 .28	10 .39	6 .24
-	122 ±1 4.80 ±0.04	26 1.02	6.5 .26	-	41 1.61	-	8.5 .33	142 5.59	100 3.94	7 .28	10 .39	6.5 .26
140 ±1 5.51 ±0.04	140 ±1 5.51 ±0.04	27 1.06	6.5 .26	12 .47	46 1.81	16 .63	9.5 .37	160 6.30	113 4.45	7 .28	10 .39	6.5 .26
-	150 ±1 5.91 ±0.04	27 1.06	6.5 .26	-	47 1.85	-	10.5 .41	172 6.77	125 4.92	7 .28	10 .39	6.5 .26
160 ±1 6.30 ±0.04	160 ±1 6.30 ±0.04	28 1.10	6.5 .26	12 .47	50 1.97	17 .67	10.5 .41	179 7.05	132 5.20	7 .28	10 .39	6.5 .26
179 ±1 7.05 ±0.04	-	28 1.10	6.5 .26	12 .47	50 1.97	17 .67	-	197 7.76	151 5.94	7.5 .30	-	-

**Specification**



- Plastic **PA**  
Technopolymer (Polyamide)  
- Glass fiber reinforced  
- Temperature resistant up to 302 °F (150 °C)  
- Black, RAL 9005, matte finish **● SW**
- Mounting holes  
- **GN 528.2**  
Counterbored for countersunk screws  
- **GN 528.3**  
Counterbored for hexagon head screws
- RoHS compliant

**Information**

EN 528.3 cabinet „U“ handles are resistant to solvents, oils, grease and other chemical agents.

see also...

- Cabinet „U“ Handles EN 528  
(Technopolymer Plastic, Mounting from the Operator's Side)
- Cabinet „U“ Handles GN 728  
(Aluminum, Mounting from the Back or from the Operator's Side)

**On request**

- Various metric and inch size fasteners and kit packaging

How to order (for countersunk screws)	1	Material
	2	Length $l_1$
	3	Color
<b>EN 528.2-PA-179-SW</b>		
How to order (for hexagon head screws)	1	Material
	2	Length $l_1$
	3	Color
<b>EN 528.3-PA-150-SW</b>		