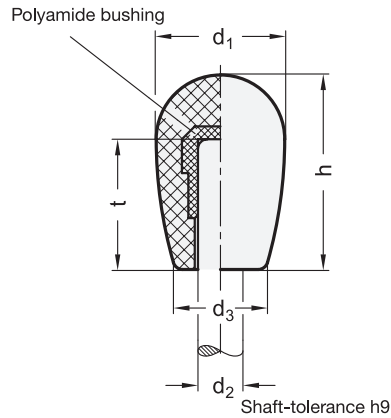


EN 719.1 Domed Gear Lever Knobs

Phenolic Plastic, Press-On Type



ELESA original design I.222 N

Metric table

Dimensions in: millimeters - *inches*

¹ d ₁	² d ₂ Bore diameter	d ₃	h	t
15 .59	B 6	12 .47	25 .98	17 .67
20 .79	B 8	14 .55	31 1.22	21 .83
26 1.02	B 10	17 .67	42 1.65	30 1.18
33 1.30	B 10	20 .79	54 2.13	37 1.46
33 1.30	B 12	20 .79	54 2.13	40 1.57
38 1.50	B 14	23 .91	68 2.68	50 1.97
41 1.61	B 16	25 .98	87 3.43	58 2.28

Specification

- Plastic
Duroplast (Phenolic PF)
- Temperature resistant up to 230 °F (110 °C)
- Black, shiny finish
- Polyamide bushing
Embedded
- RoHS compliant

Information

EN 719.1 domed gear lever knobs satisfy by their form and ergonomical aspects. By using these knobs a threaded end on a lever is not required.

These knobs are mounted by using a plastic hammer to drive them over a shaft end which should preferably be slightly rounded or chamfered (30°).

The bushing is embedded during the manufacturing process and it does not need insertion before driving it over a shaft.

see also...

- *Domed Gear Lever Knobs EN 719.2 (Tapped or Press-On Type)*

How to order

¹ ²
EN 719.1-33-B10

1 Handle diameter d₁

2 Bore diameter d₂